

## Introducing the Chief<sup>®</sup> Pivot Walker

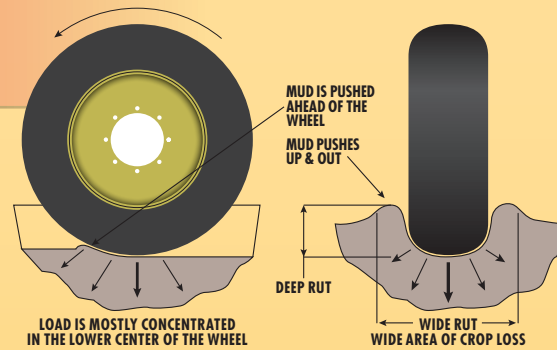


### Prevents costly ruts left by conventional pivot wheels!

- Less machinery wear and tear due to elimination of ruts
- No flat tires to change
- No need to disk around the circle of the wheel tracks, which saves time and fuel
- Less soil erosion and/or soil compaction
- Narrower track leaves more crop in production
- Easy to mount
- Self-cleaning footpads
- Less down time and energy consumption
- Patented design

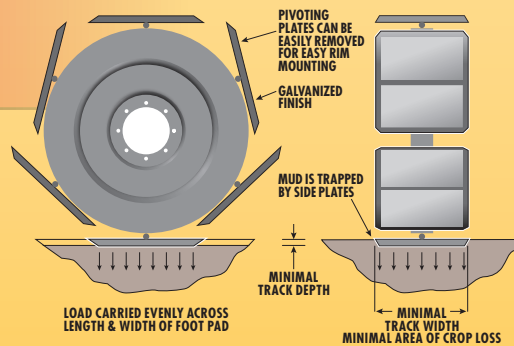
### THE PROBLEM: TYPICAL PIVOT WHEEL ROLLS THE PIVOT, CAUSING RUTS!

A typical wheel rolls the center pivot through the field, pushing mud ahead of the tire as well as out the sides causing ruts to develop that are often deep and wide. These result in costly machinery wear and tear, erosion, soil compaction, crop loss, and energy consumption.



### THE SOLUTION: PIVOT WALKER WALKS THE PIVOT WITHOUT COSTLY RUTS!

Unlike a conventional wheel, the Pivot Walker walks the pivot through the field. Pivoting footpads evenly distribute the weight of the pivot tower across the width and length of each pad. Mud is prevented from pushing out from under the pads by angled side plates and cleats. This unique design prevents mud from sticking to the underside of the footpad.



For more information, contact our distributor:



3721 Arch Avenue | Grand Island NE 68803 | 308.381.1509 | Fax 308.381.7562  
info@farmlandirrigation.com | www.farmlandirrigation.com