

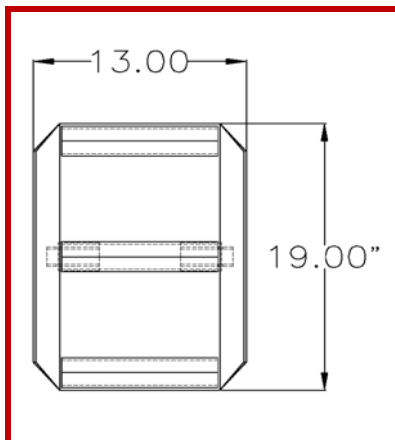
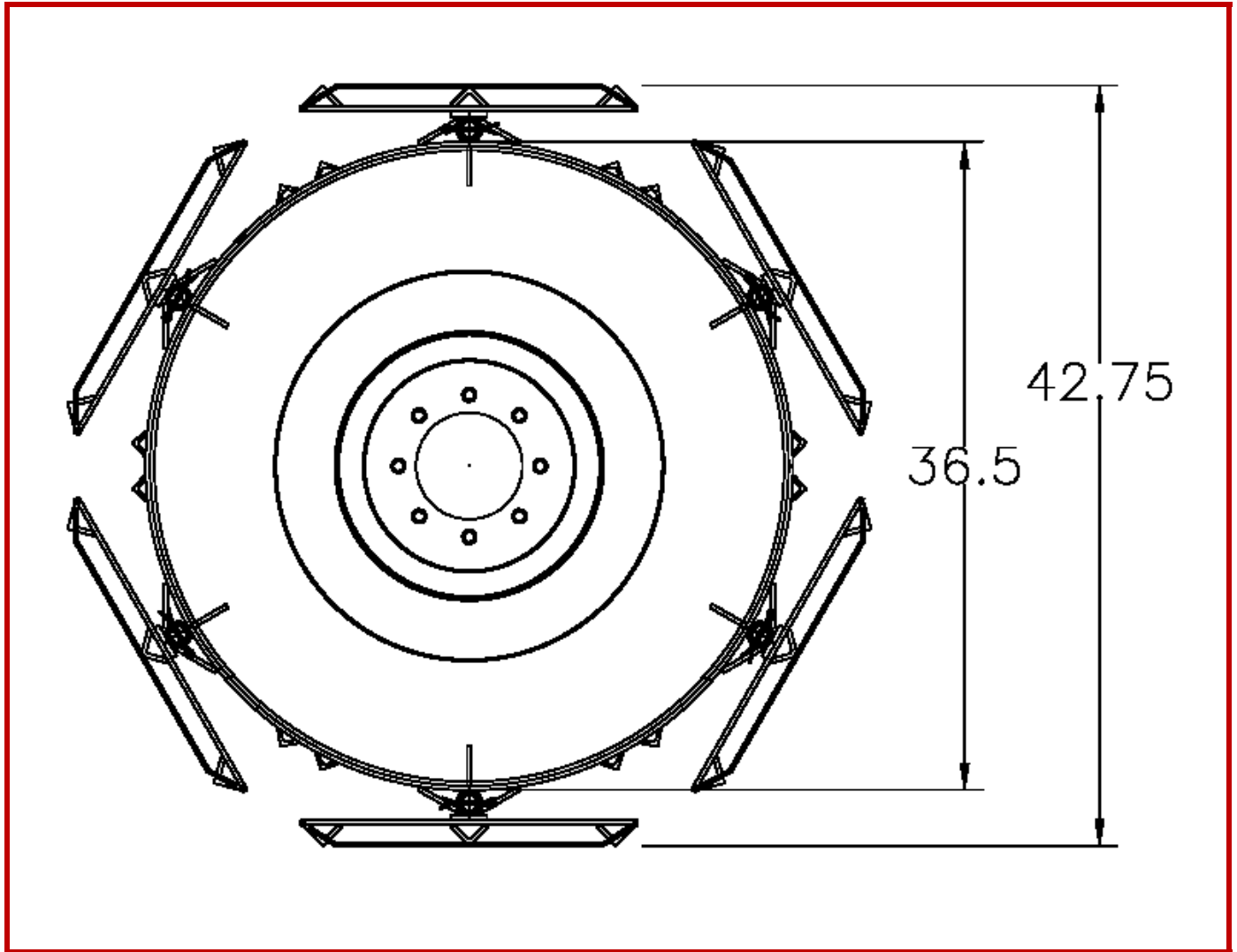
# CHIEF

## FABRICATION

### *PIVOT WALKER*

## SPECIFICATION

## SHEET



<i>DIMENSIONS</i>	<i>WEIGHT</i>	<i>DESCRIPTION</i>
42.75" DIA	321.5 LB	PIVOT WALKER ASSY HUB- 8 / 9-HOLE
36.5" DIA	144.5 LB	
13" X 19"	27.67 LB	TIRE PAD
1" DIA X 9.56" LG	2.13 LB	PIVOT SHAFT
¼ X 2"	.01 LB	COTTER PIN
WW-13	.001 LB	CAPLUG
<b>MAXIMUM WEIGHT CAPACITY – 5000 LBS</b>		